

ecomac Gebrauchtmachines GmbH
Berliner Strasse 31
93073 Neutraubling
Germany
Phone: +49 (0) 94 01 - 93 05-0
Fax: +49 (0) 94 01 - 93 05-20
E-mail: sales@ecomac.de

ecomac
GEBRAUCHTMASCHINEN

Neutraubling, 2024-10-07

Used Tray Packer # 10-23918

Details

Number	10-23918
Product	Krones
Model	Variopac Pro T 45
Performance	45 cycles/min
Equipment	Shrinkpacs in Tray
Year	2010
Delivery	promptly
Direction	R-L

This packing machine make KRONES model Variopac Pro T y/c 2010. The machine has a **multipack-infeed** and puts 3 sixpacks in a carton tray **short-side leading**. The machine is immediatley available. We look forward to your enquiry.

Execution	Infeed adjustable to 1-2 lanes (external divider for shrinkpacs) Machine conveyor up to 4 chain lanes (crank adjustable) Carton-blank feeding inclined under infeed Blank separator with oscillating sucker beam Tray-forming by hotmelt unit (Robatech)
Operation	15" Clean Design colour display with ZenOn
Control unit	Siemens S7 300
Network	230/400 V - 50 Hz

Subject to prior sale – without engagement

Berliner Strasse 31
93073 Neutraubling
Germany
Phone: +49 (0) 94 01 - 93 05-0
Fax: +49 (0) 94 01 - 93 05-20
E-mail: sales@ecomac.de

Managing Director
Ludwig Stierstorfer

Sparkasse Neutraubling
Account 30912406
BLZ 75050000
BIC BYLADEM1RBG
IBAN DE1375050000030912406

Commerzbank Regensburg
Account 6005870
BLZ 75040062
BIC COBADEFF750
IBAN DE36750400620600587000

Expressbahnhof
93047 Regensburg
Airfreight Nürnberg

Registered office Neutraubling
Registration Court
Regensburg HRB 5134

ecomac Gebrauchtmaschinen GmbH
Berliner Strasse 31
93073 Neutraubling
Germany
Phone: +49 (0) 94 01 - 93 05-0
Fax: +49 (0) 94 01 - 93 05-20
E-mail: sales@ecomac.de

ecomac
GEBRAUCHTMASCHINEN

Neutraubling, 2024-10-07



Subject to prior sale – without engagement

Berliner Strasse 31
93073 Neutraubling
Germany
Phone: +49 (0) 94 01 - 93 05-0
Fax: +49 (0) 94 01 - 93 05-20
E-mail: sales@ecomac.de

Managing Director
Ludwig Stierstorfer

Sparkasse Neutraubling
Account 30912406
BLZ 75050000
BIC BYLADEM1RBG
IBAN DE1375050000030912406

Commerzbank Regensburg
Account 6005870
BLZ 75040062
BIC COBADEFF750
IBAN DE36750400620600587000

Expressbahnhof
93047 Regensburg
Airfreight Nürnberg

Registered office Neutraubling
Registration Court
Regensburg HRB 5134

ecomac Gebrauchtmaschinen GmbH
Berliner Strasse 31
93073 Neutraubling
Germany
Phone: +49 (0) 94 01 - 93 05-0
Fax: +49 (0) 94 01 - 93 05-20
E-mail: sales@ecomac.de

ecomac
GEBRAUCHTMASCHINEN

Neutraubling, 2024-10-07



Subject to prior sale – without engagement

Berliner Strasse 31
93073 Neutraubling
Germany
Phone: +49 (0) 94 01 - 93 05-0
Fax: +49 (0) 94 01 - 93 05-20
E-mail: sales@ecomac.de

Managing Director
Ludwig Stierstorfer

Sparkasse Neutraubling
Account 30912406
BLZ 75050000
BIC BYLADEM1RBG
IBAN DE1375050000030912406

Commerzbank Regensburg
Account 6005870
BLZ 75040062
BIC COBADEFF750
IBAN DE36750400620600587000

Expressbahnhof
93047 Regensburg
Airfreight Nürnberg

Registered office Neutraubling
Registration Court
Regensburg HRB 5134

ecomac Gebrauchtmachines GmbH
Berliner Strasse 31
93073 Neutraubling
Germany
Phone: +49 (0) 94 01 - 93 05-0
Fax: +49 (0) 94 01 - 93 05-20
E-mail: sales@ecomac.de

ecomac
GEBRAUCHTMASCHINEN

Neutraubling, 2024-10-07



Subject to prior sale – without engagement

Berliner Strasse 31
93073 Neutraubling
Germany
Phone: +49 (0) 94 01 - 93 05-0
Fax: +49 (0) 94 01 - 93 05-20
E-mail: sales@ecomac.de

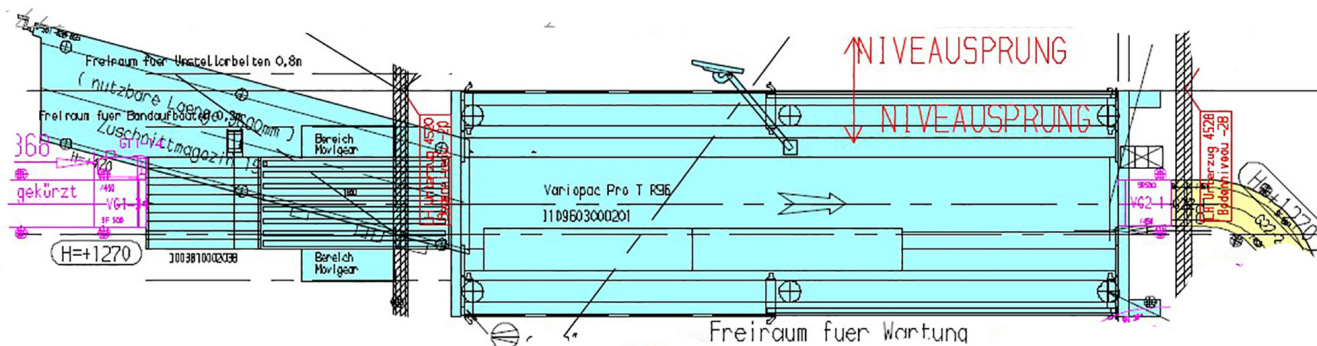
Managing Director
Ludwig Stierstorfer

Sparkasse Neutraubling
Account 30912406
BLZ 75050000
BIC BYLADEM1RBG
IBAN DE1375050000030912406

Commerzbank Regensburg
Account 6005870
BLZ 75040062
BIC COBADEFF750
IBAN DE36750400620600587000

Expressbahnhof
93047 Regensburg
Airfreight Nürnberg

Registered office Neutraubling
Registration Court
Regensburg HRB 5134



ecomac
GEBRAUCHTMASCHINEN

Subject to prior sale – without engagement

Berliner Strasse 31
93073 Neutraubling
Germany
Phone: +49 (0) 94 01 - 93 05-0
Fax: +49 (0) 94 01 - 93 05-20
E-mail: sales@ecomac.de

Managing Director
Ludwig Stierstorfer

Sparkasse Neutraubling
Account 30912406
BLZ 75050000
BIC BYLADEM1RBG
IBAN DE1375050000030912406

Commerzbank Regensburg
Account 6005870
BLZ 75040062
BIC COBADEFF750
IBAN DE36750400620600587000

Expressbahnhof
93047 Regensburg
Airfreight Nürnberg

Registered office Neutraubling
Registration Court
Regensburg HRB 5134